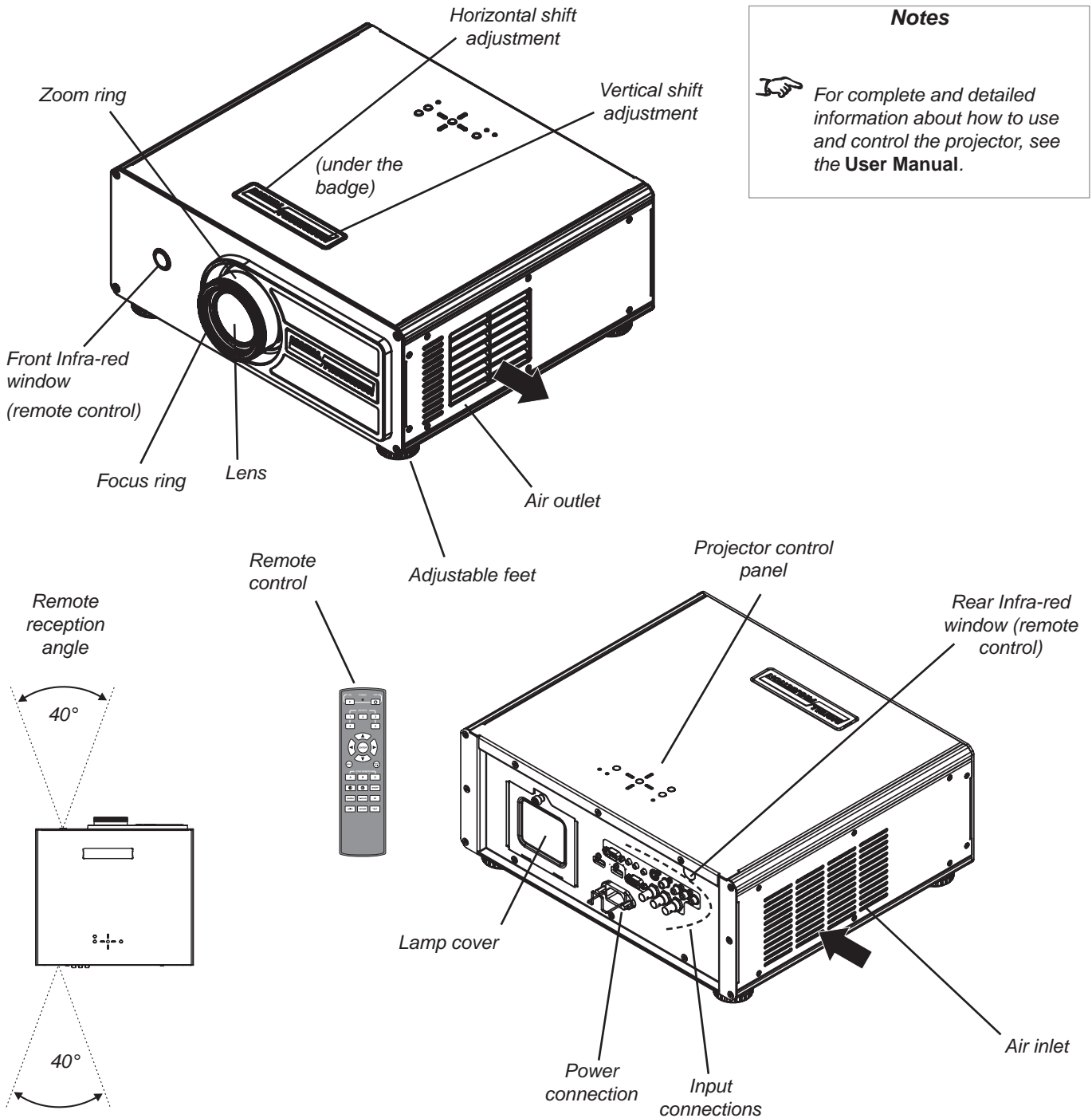


GETTING STARTED

Getting to know the projector



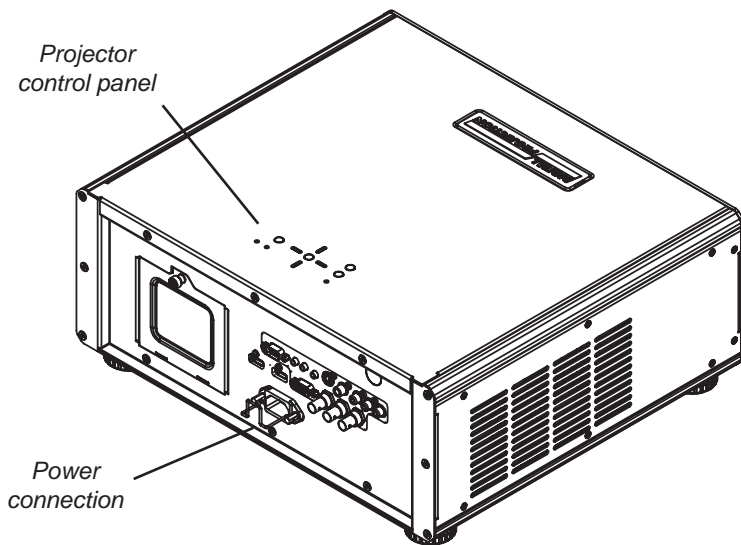
Positioning the screen and projector

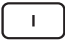

- Install the screen, ensuring that it is in the best position for viewing by your audience.
- Mount the projector, ensuring that it is at a suitable distance from the screen for the image to fill the screen, and that it is perpendicular to the screen.

Switching the projector on

- Connect the power cable between the mains supply and the projector.

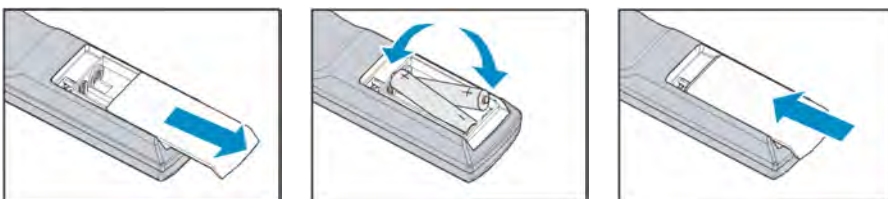
Wait until the self-test has completed and the standby indicator on the projector control panel shows amber. The lamp will be off and the projector will be in STANDBY mode.




- Press POWER ON  on the remote control or POWER  on the projector control panel to switch the projector ON. The power indicator on the control panel will flash blue for approximately 30 seconds, whilst the lamp comes up to full brightness. When the projector is ready for use, the power indicator will show a steady blue.


Inserting batteries into the remote control

- Open the battery compartment and insert two AA size batteries, making sure they are inserted the correct way round, as shown below.




Notes


 For more information about positioning the screen and projector, see **Positioning the screen and projector**, in section 2. of the User Manual: Installation.


 For more detailed information about:

- using the control keys on the remote control or the projector control panel,
- using the menus,

see section 4. of the User Manual: Controlling the projector.

 If the red **ISSUE** indicator is illuminated continuously or flashing, see **Error Codes** in section 6 of the User Manual: Appendix, for more information

 Do not mix an old battery with a new one or different types of batteries.

 If you will not use the remote control for a long time, remove the batteries to avoid damage from battery leakage.

Selecting an input signal or test pattern

Input

- Connect an video source to the projector. The signal should be automatically detected by the projector, and should be displayed within a two or three seconds.
- If more than one signal is connected to the projector, then select which signal is to be displayed, using the **1** to **5** buttons on the remote control, or by pressing the SOURCE button on the projector control panel until the correct signal is displayed.

Test pattern

If you have no video source connected to the projector, then you can display a test pattern as follows:

- Press **TEST** on the remote control, until the desired test pattern is displayed.

Adjusting the lens

Zoom

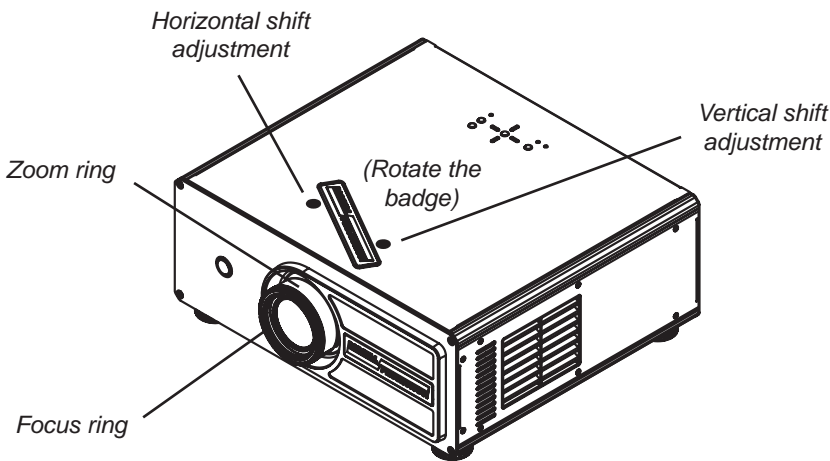
- Turn the smooth ring on the lens, closest to the case, to adjust the zoom so that the image fills the screen.

Focus


- Turn the knurled ring at the outer end of the lens, to adjust the focus until the image is sharp.


Shift


- Rotate the Digital Projection badge on top of the projector to reveal the shift adjustment access holes. Use the 5mm allen wrench to adjust the horizontal and vertical position of the image.



Notes

 For more information about connecting input signals, see **Signal Inputs**, in section 2. of the User Manual: Installation.

 For more detailed information about input connections, see **Input signals** in section 6. of the User Manual: Controlling the projector.

 For more information about lens shift, see **Shifting the image** in section 2. of the User Manual: Installation.

Adjusting the projected image

Aspect ratio


- Press  on the remote control until the image is displayed in the correct aspect ratio.

Image quality settings



- Press any of the following keys on the remote control, followed by ◀ and ▶, to adjust these image quality settings:

Brightness 

Contrast 

Sharpness 

Switching the projector off

- Press POWER OFF  on the remote control or POWER  on the projector control panel, then press the button a second time to confirm your intention to switch off.

The lamp will switch off, and the power indicator on the control panel will flash blue for approximately 30 seconds until the lamp has cooled down.

- Wait until the power indicator has switched off and the standby indicator on the projector control panel shows amber. The projector will now be in STANDBY mode.
- Disconnect the power cable from the projector.

Notes



For more detailed information about:

- using all the control keys on the remote control or the projector control panel,

- using the menus,

see **section 4. of the User Manual: Controlling the projector.**



For the picture setting adjustments shown here:

- after 5 seconds, if no adjustment has been made, the indicator will go out and the adjustment key must be pressed again.

- to end the adjustment before 5 seconds has elapsed, press a different adjustment key, or press the key again.



Always allow the lamp to cool for 5 minutes before:

- moving the projector
- changing the lamp